

SAM[®] MicroSound

Low Profile NCR Style

SAM MicroSound Fan Filter Units include a 99.99% efficient HEPA filter, prefilter, seismic suspension points, solid state variable speed control with RFI suppression and a safety switch.

Standard 2' x 4' models are designed to fit a nominal 2' x 4' ceiling grid with a 22.5" x 46.5" standard opening.

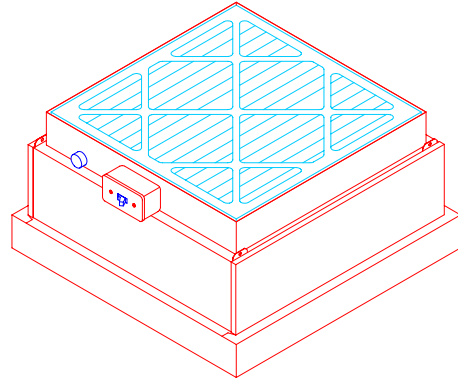
Housings are fabricated from steel with a white powdercoat finish.

The energy efficient motor blower is a low watt backward curved impeller, single phase, permanent split capacitor type motor blower assembly with thermal overload protection. Units are available in 115 Volt (60 Hz), 208-230 Volt (50/60 Hz) and 277 Volt (60 Hz).

HEPA or ULPA 99.9995% eff. @ 0.12 micron final filters are protected with a white epoxy diamond pattern grille and are tested according to accepted procedures as described by the Institute of Environmental Sciences (IEST) and or ISO standards.

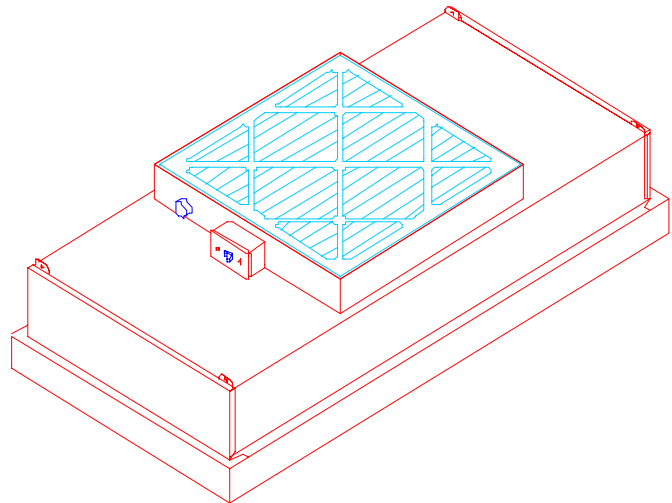
Additional options and accessories are shown in the back of this section.

Consult with one of our cleanroom experts in your area, or call the factory for more information.

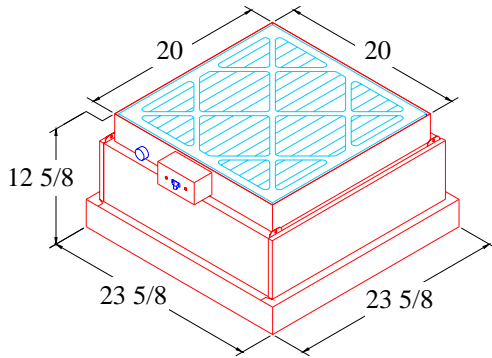


SAM 22 MicroSound

Featuring
Low Sound Levels
Energy Efficient Motor
Variable Speed Control
Safety Switch



SAM 24 MicroSound



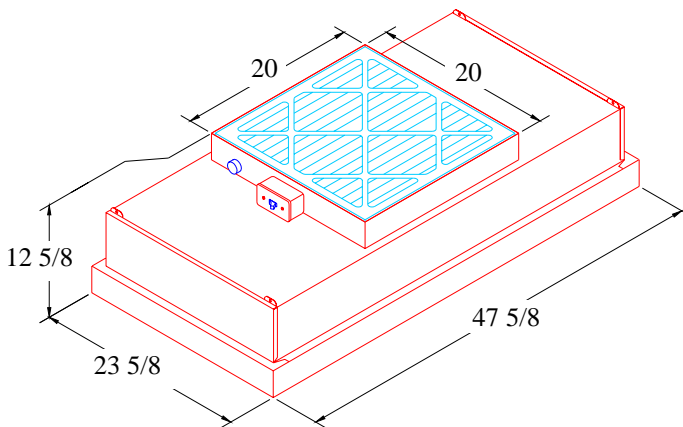
SAM 22 MicroSound

NCR Style Filter Data: Size: 23-5/8" x 23-5/8" x 3" with exposed anodized aluminum frame and diamond pattern white epoxy coated steel face screen. The HEPA Filter is designed for 90 FPM average face velocity @ initial 0.47 w.g. and has a rated efficiency of 99.99% @ 0.3 micron or larger.

Actual Size: 23-5/8" x 23-5/8" x 12-5/8"

Standard Equipment: Includes a N310 Low Watt motor, a prefilter and a solid state variable speed control with RFI Suppression. A safety switch is provided for all voltages as listed below.

Options: ULPA Filter, Power Cord, Duct Collar Adaptors. More options are shown in the back of this section.



SAM 24 MicroSound

NCR Style Filter Data: Size: 23-5/8" x 47-5/8" x 3" with exposed anodized aluminum frame and diamond pattern white epoxy coated steel face screen. The HEPA Filter is designed for 90 FPM average face velocity @ initial 0.47 w.g. and has a rated efficiency of 99.99% @ 0.3 micron or larger.

Actual Size: 23-5/8" x 47-5/8" x 12-5/8"

Standard Equipment: Includes a N310 Low Watt motor, a prefilter and a solid state variable speed control with RFI Suppression. A safety switch is provided for all voltages as listed below.

Options: ULPA Filter, Power Cord, Duct Collar Adaptors. More options are shown in the back of this section.

Consult with Factory for Horizontal Flow Applications

Ordering Information

Mfg. Code	Model or Description	Size	Motor	Voltage	Hz	Watts	Running Amps	FLA	Weight
12100	SAM 22 MS	2 x 2	N310	115	60	185	1.8	4.1	53 lbs. (25.0 kg.)
12101	SAM 22 MS	2 x 2	N310	208-230	50/60	170	.9	2.0	53 lbs. (25.0 kg.)
12102	SAM 22 MS	2 x 2	N310	277	60	165	.6	1.4	53 lbs. (25.0 kg.)
12261	SAM 24 MS	2 x 4	N310	115	60	185	1.8	4.1	60 lbs. (27.2 kg.)
12262	SAM 24 MS	2 x 4	N310	208-230	50/60	170	.9	2.0	60 lbs. (27.2 kg.)
12263	SAM 24 MS	2 x 4	N310	277	60	165	.6	1.4	60 lbs. (27.2 kg.)
302070	2x2 NCR Style Replacement HEPA Filter, 99.99% eff. @ 0.3 micron								
302071	2x2 NCR Style Replacement ULPA Filter, 99.9995% eff. @ 0.12 micron								
302090	2x4 NCR Style Replacement HEPA Filter, 99.99% eff. @ 0.3 micron								
302100	2x4 NCR Style Replacement ULPA Filter, 99.9995% eff. @ 0.12 micron								
302190	Prefilter 30% ASHRAE efficient, pleated type								

Specification Sheets are available upon request